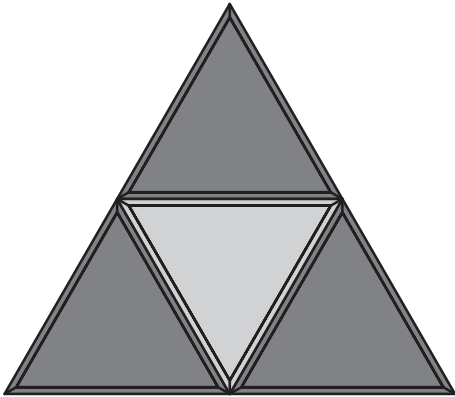
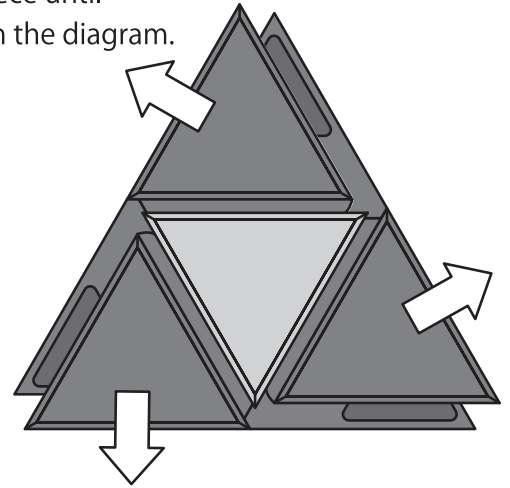


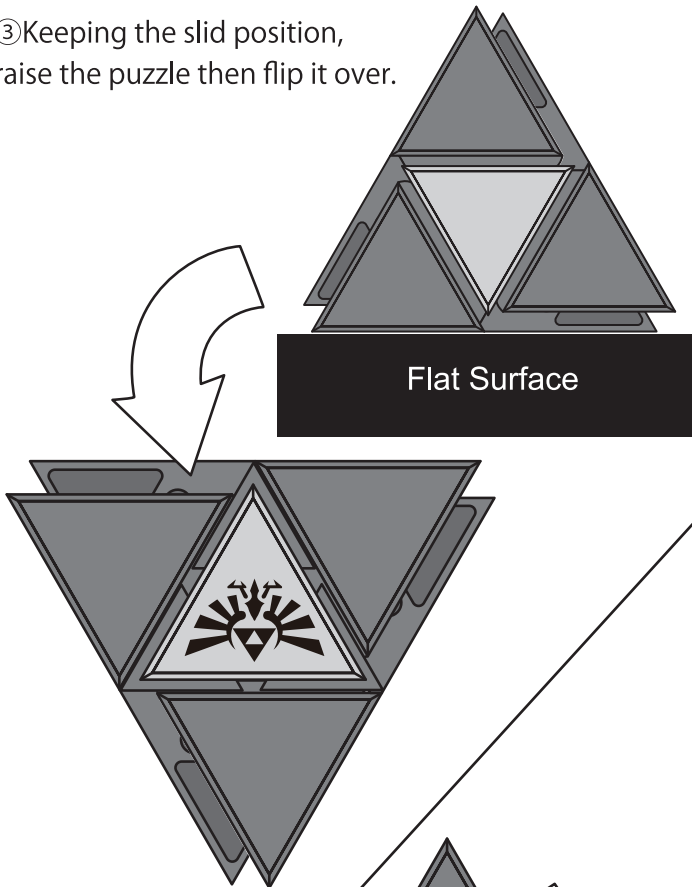
① Lay the puzzle on a flat surface with the Hyrule emblem facing down.



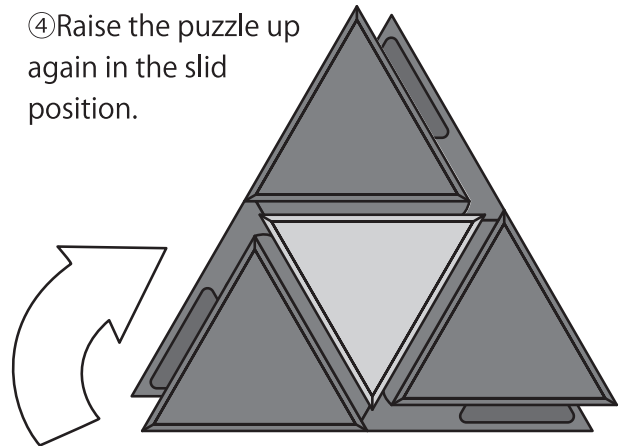
② Slide the gold piece until it stops as shown in the diagram.



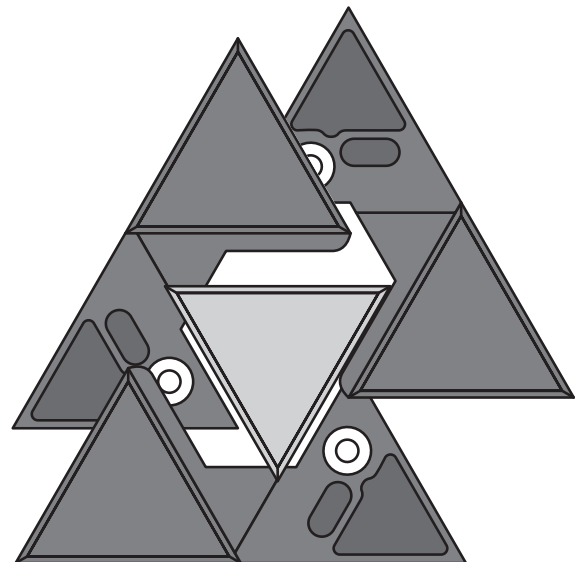
③ Keeping the slid position, raise the puzzle then flip it over.



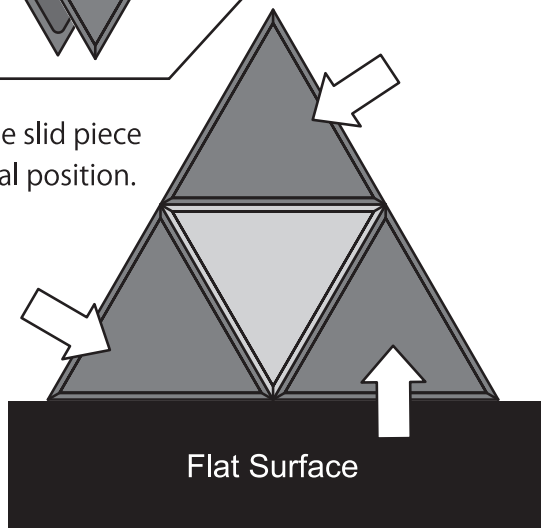
④ Raise the puzzle up again in the slid position.



⑥ When you slide the pieces again, all the pieces will come off.



⑤ Return the slid piece to its original position.



When putting it back together, push in the internal pin and put it back together.